



# VALVES

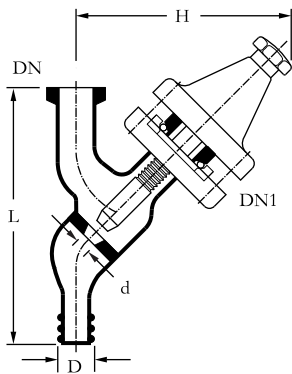
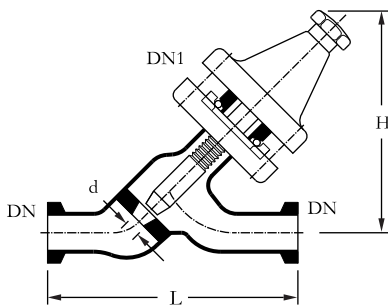
## 2. VALVES

# VALVES

## INTRODUCTION

Valves are widely used in the chemicals, pharmaceutical and allied industries. They form an essential part of any process plant or system in a wide range of applications, such as flow controls, pressure relief and filtering.

Valve bodies are made-up of Borosilicate glass 3.3 with PTFE bellow. So the material comes into contact with these products (Borosilicate glass and PTFE) only. Therefore valves are fully corrosion resistant and chemically inert as they have a glass body. Monitoring of the valve operation can be done visually. The entire valve range is suitable to use at full vacuum.



## LINE VALVE

DN	DN1	d	L	H	CAT. REF.
15	15	12	125	90	APV07
25	25	18	175	175	APV1
40	25	18	225	175	APV1.5/1
40	40	26	225	200	APV1.5
50	50	38	300	220	APV2

Spindles are made of PTFE.

## DRAIN VALVE

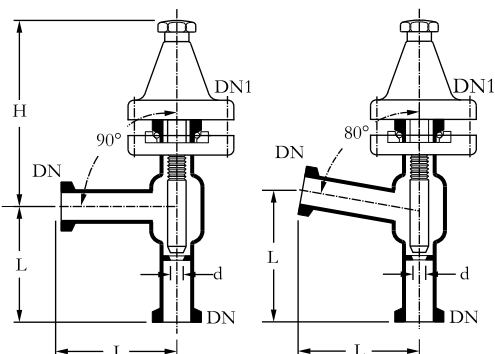
DN	DN1	d	L	H	D	CAT. REF.
15	15	12	125	90	14	APVD07
25	25	18	175	175	28	APVD1
40	25	18	225	175	28	APVD1.5/1
40	40	26	225	200	42	APVD1.5
50	50	38	300	220	50	APVD2

Spindles are made of PTFE.

## ANGLE VALVE

DN	DN1	d	L	H	deg°	CAT. REF.
15	15	12	50	80	90	APVE07/90
15	15	12	50	80	80	APVE07/80
25	25	18	100	175	90	APVE1/90
25	25	18	100	175	80	APVE1/80
40	40	26	150	200	90	APVE1.5/90
50	50	38	150	200	90	APVE2/90

Spindles are made of PTFE.



### VENT VALVE

DN	D	d	L	CAT. REF.
15	11	10	125	APVL07
25	11	10	150	APVL1
40	11	10	150	APVL1.5

Spindles are made of PTFE.

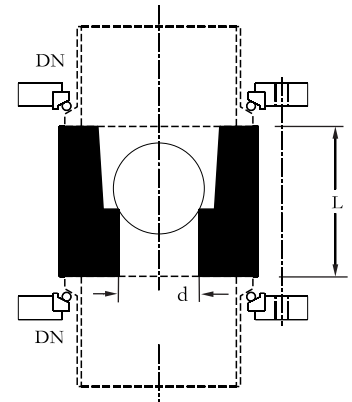
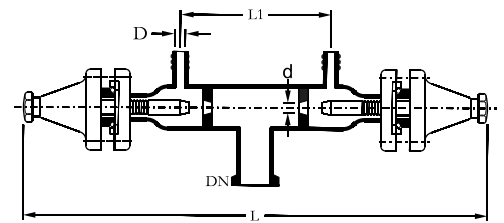
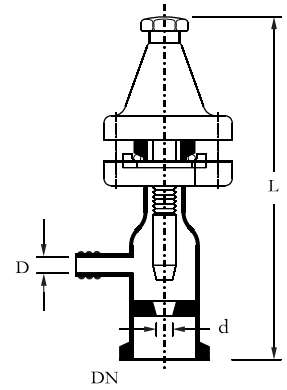
### VENT VACUUM VALVE

DN	D	d	L	L1	CAT. REF.
25	12	10	280	85	APVW1/07
40	12	10	280	85	APVW1.5/07

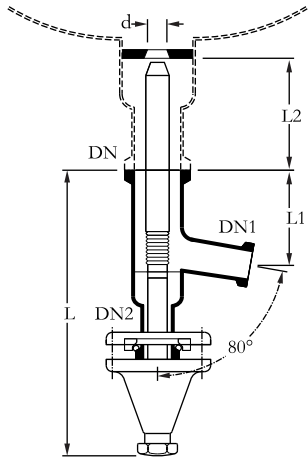
### NON-RETURN BALL TYPE VALVE

This valve is used in vertical lines only. It is clamped between buttress end using long bolts. Total assembly consists of PTFE & glass ball.

DN	d	L	CAT. REF.
15	5	19	ANRD07
25	10	25	ANRD1
40	15	33	ANRD1.5



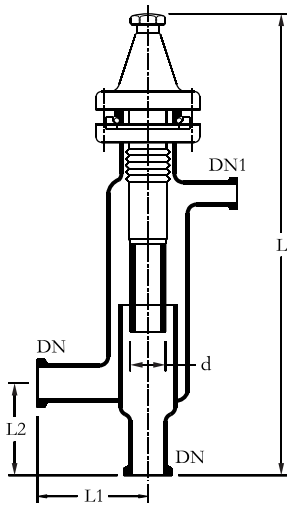
# VALVES



## BOTTOM OUTLET VALVE

This valve prevents the accumulation of solids or liquids in the bottom outlet of a vessel. This valve can be incorporated in any spherical or cylindrical vessel.

DN	DN1	DN2	d	L	L1	L2	CAT. REF.
40	25	25	26	260	105	190	ABAL1.5
50	40	25	38	260	105	190	ABAL2



## ADJUSTABLE OVERFLOW VALVE

This valve is suggested for adjusting the interface in separators (e.g. in Liquid to Liquid Extraction). Level adjustment is substantially variable and is by means of a PTFE tube fitted with sealing mouth that can be moved up and down inside a precision bore glass tube.

DN	DN1	d	L	L1	L2	CAT. REF.
25	25	25	420	100	50	AOF1
40	25	25	600	150	90	AOF1.5
50	25	35	600	150	90	AOF2